

# Desk Top Power Supplies



[www.powersolve.com.tw](http://www.powersolve.com.tw)

## PSGE120 Series 120 Watt Switch Mode Universal AC Input

### Features

- Universal Input Range 90-264VAC
- Over Power, Over Voltage & Short Circuit Protection
- Conductive EMI Meets CISPR 22
- CEC & EuP Level V Compliant
- Optional Output Connectors



### Electrical Specification

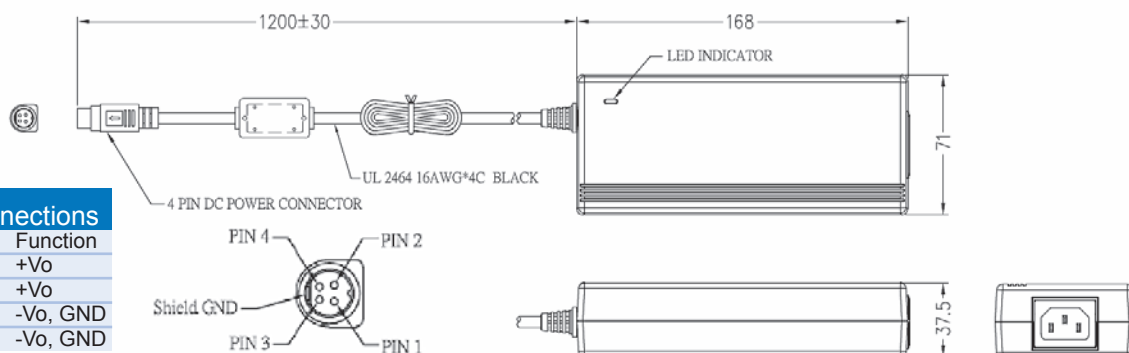
Rated Input Voltage	100-240VAC
Input Voltage Range	90-264VAC
Frequency	47-63Hz
Input Current	2.0A max.
Inrush Current	150A max. at 240VAC input with rated load & 25°C ambient
Input Leakage Current	3.5mA max. at 264VAC 60Hz input
Input Current Harmonic	IEC61000-3-2
No Load Input Power	0.5W max.
Efficiency	>87% average
Turn On Delay	3 seconds max. at 100VAC input & max. output load
Hold-up Time	8mS min. at 100VAC input & max. output load
Overshoot	10% max. when power supply on or off
Short Circuit Protection	Continuous, autorecovery when fault removed
Over Power Protection	130-200% of rated output power, auto recovery when fault removed
Over Voltage Protection	+16.0V, recycle mains input to reset
Operating Temperature Range	0°C to +40°C
Operating Humidity Range	10-90% RH non-condensing
Storage Temperature Range	-20°C to +80°C
Cooling	Natural convection
Vibration Operating	10-250Hz, 0.25G peak to peak, 3 axes, 15 min sweep
Vibration Storage	10-300Hz, 2.0G peak to peak, 3 axes, 15 min sweep
Safety Approvals	IEC60950-1, cUL, UL, TUV, CB
EMC Standard	FCC Class B, CISPR22 Class B
Immunity Standards	EN61000-4-2, -3, -4, -5, -6, -11
AC Inlet	IEC320/C14

### Output Voltage & Current Ratings

MODEL	VOLTAGE	CURRENT	POWER	RIPPLE & NOISE	LOAD REGULATION
PSGE120-12-XX	12V	10A	120W	±5%	120mV
PSGE120-24-XX	24V	5A	120W	±5%	240mV

where -XX in model number relates to output connector type. Standard connector is a 4 pin Toby (-01). Other types available, consult sales office.

### Mechanical & Connection Details



Email: [sales@powersolve.com.tw](mailto:sales@powersolve.com.tw)