

# Plug Top Power Adaptors



MKB & MKE Series  
12.5 Watts to 30 Watts  
Single Output  
Medical Safety Approvals

## Features

- Meets CEC Level VI
- Universal AC Input
- Conforms to RoHS
- Interchangeable AC Plugs for USA, EU, UK and Australia
- EMC to EN55032, & FCC part 15 'B'
- UKCA & CE with full medical safety approvals



## Electrical Specification

| INPUT                    |   |
|--------------------------|---|
| Input Voltage            | 90-264VAC   |
| Input Frequency          | 47-63Hz   |
| Input Current            | 0.4A to 0.8A max, full load 90VAC input depending on output model                     |
| No Load Input Power      | 0.1W max  |
| OUTPUT                   |   |
| Output Voltage & Current | See table   |
| Output Power             | Up to 36 Watts see table for models   |
| Output Ripple & Noise    | 100 to 200mV pk-pk max (depending on output voltage)                                  |
| Transient Response Time  | 4mS max full load to half load 100VAC input   |
| Line Regulation          | 1% max  |
| Load Regulation          | ±5% max   |
| Output Protection        | Overcurrent & short circuit   |
| ENVIRONMENTAL            |   |
| Operating Temperature    | -10°C to 40°C, ambient  |
| Storage Temperature      | -20°C to +60°C  |
| Relative Humidity        | 10-90% max  |
| GENERAL                  |   |
| Efficiency               | >80 to 87% depending on model   |
| MTBF                     | >50,000 hours @ 25°C calculated to Bellcore SR-332 method                             |
| SAFETY                   |   |
| Withstand Voltage        | Primary to Secondary 3000VAC, 10mA 1 minute   |
| Isolation Resistance     | 10Mohm (Min) at 500VDC  |
| Safety Approvals         | cUL/UL60601-1, EN60601-1, BS EN60601-1, AS/NZS62368-1                                 |
| EMI/EMC                  | FCC PART 15B, BS/EN60601-1-2:2015+A1-2021 BS/IEC60601-1-2:2014+A1:2020 AS/NZS CISPR22 |
| MECHANICAL               |   |
|                          | See drawing   |

## Output Voltage & Current Ratings

| MODEL            | OUTPUT VOLTAGE | OUTPUT CURRENT | MAX OUTPUT POWER |
|------------------|----------------|----------------|------------------|
| MKB2-0502500DEXD | 5V DC          | 2.5A           | 12.5 Watts       |
| MKE2-0902660DEXD | 9V DC          | 2.66A          | 23.94 Watts      |
| MKE2-1202500DEXD | 12V DC         | 2.50A          | 36 Watts         |

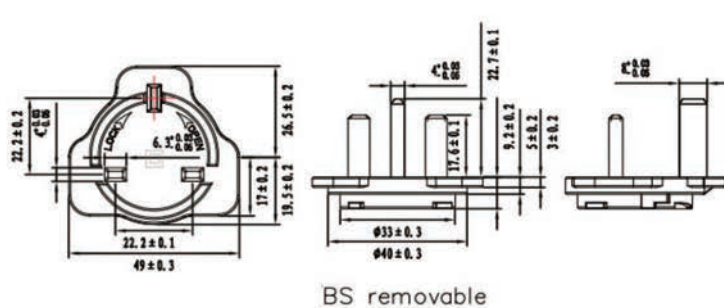
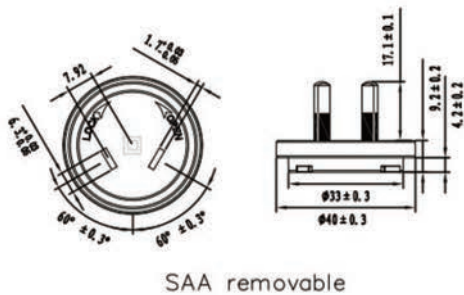
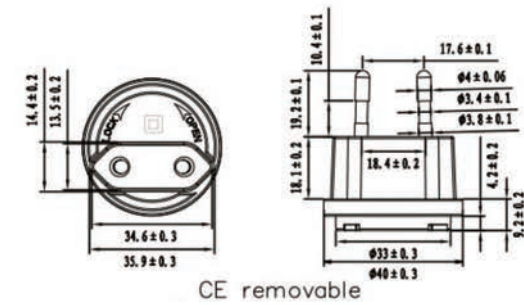
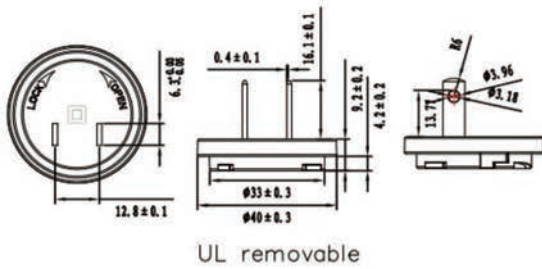
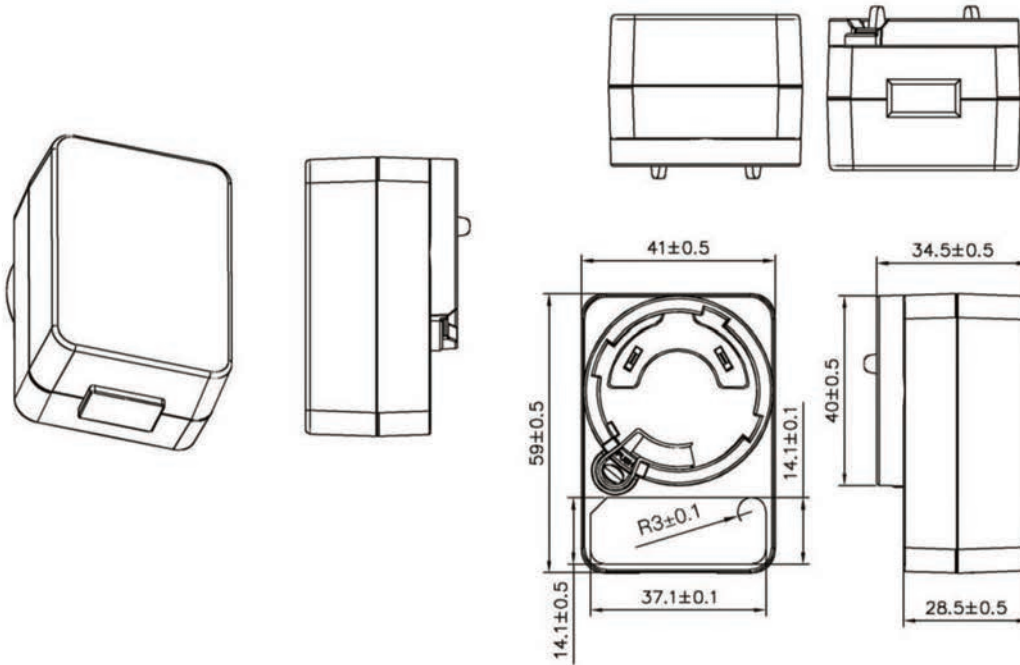
**Note:** Standard stock items have a 2.1 x 5.5 x 10 centre positive barrel connector. Other connectors are available consult sales office for details. Other output voltages also available items listed usually ex-stock.

**AC Connectors:** Unless specified standard stock items will be shipped with UK, EU, US & Australian connectors.

# Plug Top Power Adaptors



## Mechanical Details



All dimensions in mm

# Plug Top Power Adaptors

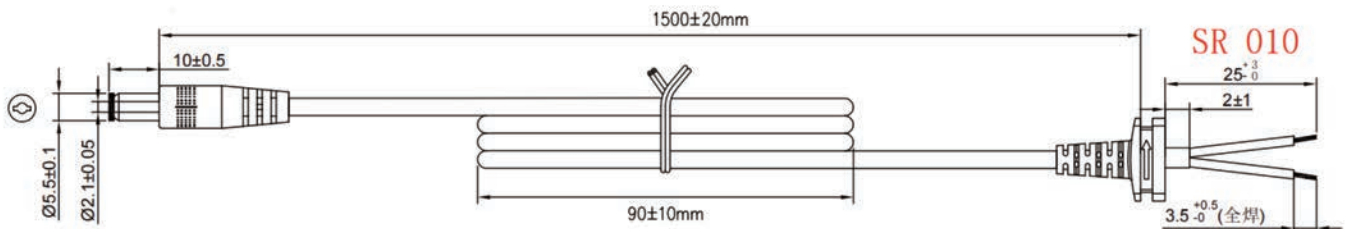


## DC CORD

Unit:mm

Tolerance

Color:Black



NOTE:

1. Wire:UL 2464 20AWG VW-1 80°C 300V
2. Color:Black;
3. Polarity: Black line —●— Red line;
4. Tensile test :Hang weight 20LBS,SR displacement less than 2mm in 60s;
5. Swing test: Hang weight 200g, 45 times/min, swing at ±60 degrees 1000 times at least;
6. Wire Hardness: DUROMETER TYPE A 55±10;

