

Features:

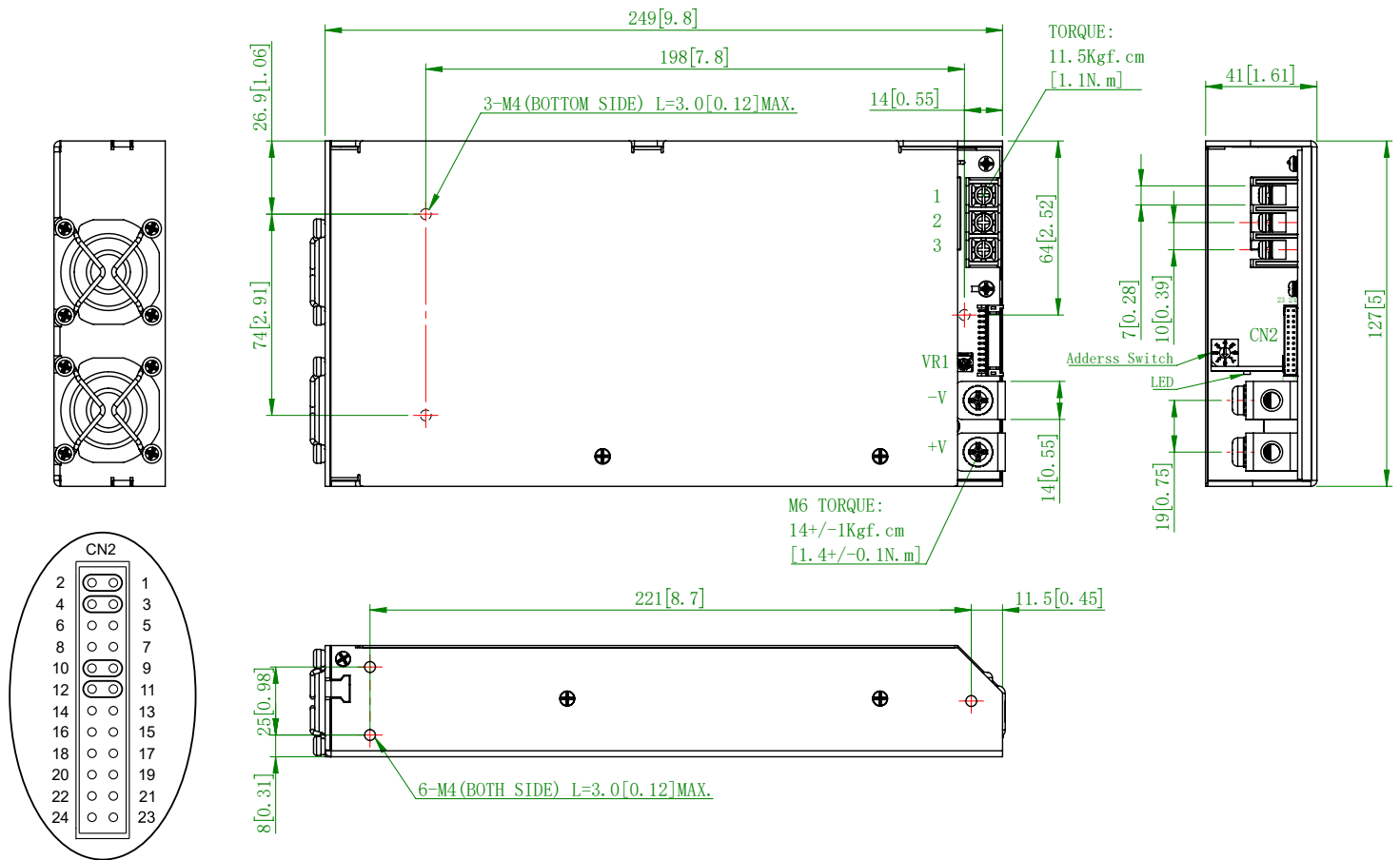
- Universal AC input / Full range
- Programmable output Voltage (0% ~ 105%)
- Programmable output Current (0% ~ 105%)
- Forced current sharing at parallel operation (Refer to pg. 5 for connection diagram)
- Constant current limit
- Selectable +5V / 0.5A or +9V / 0.3A auxiliary output
- Global control via UART (5V TTL)
- Remote setting multiple PSU via UART (5V TTL), I²C or RS485 (Optional)
- Power OK signal
- Remote ON / OFF , Remote sense function
- Protection: OVP , OLP, OTP, Fan failure
- Built-in active PFC Function



MODEL		PAE800-12	PAE800-15	PAE800-24	PAE800-30	PAE800-36	PAE800-48	PAE800-60
Output	DC Voltage Rated	12V	15V	24V	30V	36V	48V	60V
	Rated Current	66.7A	53.4A	33.5A	26.7A	22.3A	16.7A	13.4A
	Current Range	0 ~ 66.7A	0 ~ 53.4A	0 ~ 33.5A	0 ~ 26.7A	0 ~ 22.3A	0 ~ 16.7A	0 ~ 13.4A
	Rated Power	800W	800W	800W	800W	800W	800W	800W
	Ripple & Noise (Max.)	Note.2 120mVp-p	150mVp-p	240mVp-p	300mVp-p	360mVp-p	480mVp-p	600mVp-p
	Voltage Adj. Range	±5.0% Typical adjustment by potentiometer. (VR1)						
	Voltage Tolerance	Note.3 ±2.0% rated output voltage of single unit)						
	Current Tolerance	±3.0% rated output current of single unit)						
	Line Regulation	±1.0%						
	Load Regulation	±1.0%						
Input	Setup, Rise Time	800ms, 100ms at full load						
	Hold Up Time (Typ.)	8ms / 230VAC at full load						
	Voltage Range	Note.4 90 ~ 264VAC, 127 ~ 370VDC (Refer to de-rating curve)						
	Frequency Range	47 ~ 63Hz						
	Power Factor (Typ.)	0.95 / 230VAC, 0.98 / 115VAC at full load						
	Efficiency (Max.)	89%	90%	92%	92%	92%	92%	93%
	AC Current (Max.)	9.3A / 115VAC, 3.5A / 230VAC						
Protection	Inrush Current (Typ.)	30A / 115VAC, 60A / 230VAC						
	Leakage Current	< 3.5mA / 240VAC						
	Over Load	105% rated output power, Protection type: Constant current limit						
Function	Over Voltage	Variable OVP Refer to VCI VS OVP curve.(OVP Tolerance 7%) Protection type: Latch-style (Recovery after reset AC power ON or inhibit)						
	Over Temperature	85 ±5°C detect on NTC, Protection type: Auto recovery after temperature goes down						
	Auxiliary Power	Selectable +5V / 0.5A or +9V / 0.3A auxiliary output						
Environment	Remote ON / OFF Control	By external switch						
	Power OK Signal	Open drain signal low when PSU turns on, Max. sink current: 20mA, Max. drain voltage: 40V.						
	Output Voltage Trim	Adjustment of output voltage is between 0 ~ 105% of rated output						
	Output Current Trim	Adjustment of output current is between 0 ~ 105% of rated output						
	Parallel (Current Sharing)	Note.5 Please refer to page 5						
	Address Setting	Up to 8 units can be set using an address switch (sw1), 0~7						
	Working Temp.	-20 ~ +60°C (Refer to de-rating curve)						
Safety & EMC	Working Humidity	20 ~ 90% RH non-condensing						
	Storage Temp. & Humidity	-40 ~ +85°C, 10 ~ 95% RH						
	Temp. Coefficient	±0.02% / °C (0 ~ 50°C)						
	Vibration	10 ~ 500Hz, 2G 10min. / 1cycle, period for 60min. each along X, Y, Z axes Compliance to IEC60068-2-6; IEC60068-2-64						
	Safety Standards	Certified EN 62368-1; UL62368-1						
	Withstand Voltage	Note.7 I/P-O/P: 3KVAC (4242VDC), I/P-FG: 1.5KVAC (2121VDC), O/P-FG: 0.5KVAC (707VDC)						
	Isolation Resistance	I/P-O/P, I/P-FG, O/P-FG: 100M Ohms / 500VDC (25°C / 70% RH)						
Others	EMI Conduction & Radiation	Certified EN 55032						
	Power Harmonic & Voltage Fluctuation and Flicker	Certified EN 61000-3-2; EN 61000-3-3						
	EMS Immunity	Certified EN 55035: 2017 / A11: 2020; IEC 61000-4-2,3,4,5,6,8,11						
Note	MTBF	95.7K HRS Certified MIL-HDBK-217F						
	Cooling	Load and temperature control fan						
	Dimension (WxHxD)	127x41x249 mm / 5.00x1.61x9.80 inch						
	Packing	1.62kg; 9pcs / 17kg / 2.03CUFT						
Note	1. All parameters NOT specially mentioned are measured at 230VAC input, rated load and 25°C of ambient temperature.							
	2. Ripple & noise are measured at 20MHz of bandwidth by using a 12" twisted pair-wire terminated with a 0.1uF & 47uF parallel capacitor.							
	3. Tolerance: includes setup time tolerance, line regulation and load regulation.							
	4. De-rating may apply in low input voltage. Please check the de-rating curve for more details.							
	5. In parallel connection only one unit will operate if the total output load is less than 5% of the rated power.							
	6. The power supply is considered a component which will be installed into a final equipment. The final equipment must be re-confirmed that it still meets EMC directives.							
	7. This test is done without enclosure: I/P-O/P 4242VDC. If with enclosure: I/P-O/P 2121VDC, I/P-FG: 2121VDC, O/P-FG: 707VDC							

Mechanical Drawings:

Unit:mm / inch



Recommended screw length is measured from the power supply surface

AC Input Terminal Pin No. Assignment

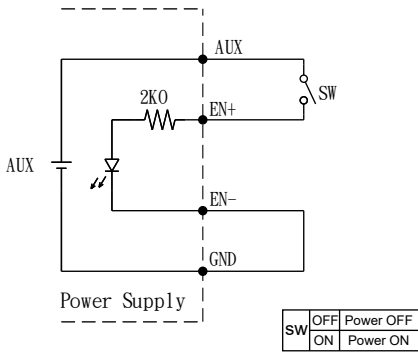
Pin No.	Assignment
1	ACL
2	ACN
3	⏏

CN2 Function Description:

Pin No.	Function	Description	Pin No.	Function	Description	Mating Housing / Contact	
1	VS+	Remote sense (+)	13	ACI	I Program	JST PHDR-24VS or equivalent	JST SPHD-002T-P0.5 or equivalent
2	VO+	Positive output voltage	14	GND	Ground		
3	VS-	Remote sense (-)	15	VCI	V Program		
4	VO-	Negative output voltage	16	GND	Ground		
5	POK	Power OK	17	AUX	+5V / 0.5A or +9V / 0.3A Auxiliary power		
6	GND	Ground	18	GND	Ground		
7	PAR	Parallel operation current share	19	SCL	Serial Clock used in the I ² C interface		
8	VSET	Aux output setting	20	SDA	Serial Data used in the I ² C interface		
9	EN-	Inhibit ON/OFF (-)	21	AUX	+5V / 0.5A or +9V / 0.3A Auxiliary power		
10	GND	Ground	22	GND	Ground		
11	EN+	Inhibit ON/OFF (+)	23	RX	For UART (5V TTL) Receiver function		
12	AUX	+5V / 0.5A or +9V / 0.3A Auxiliary power	24	TX	For UART (5V TTL) Transmission function		

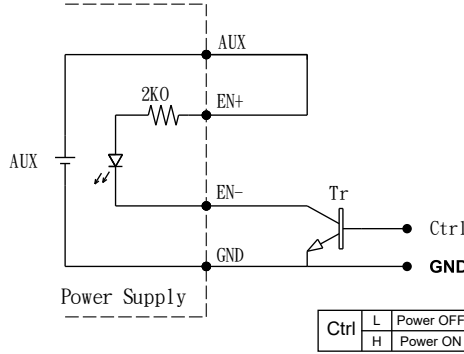
Remote ON/OFF:

(A) Default Setting



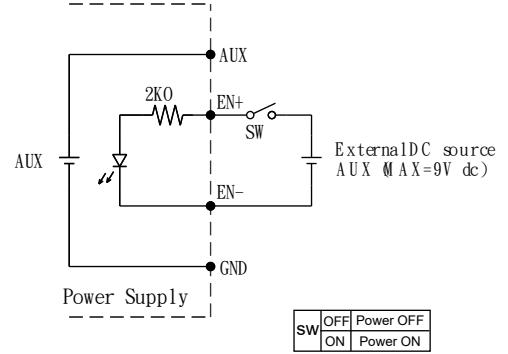
(A) Using internal 5V auxiliary source

(B)



(B) ON / OFF Control by NPN transistor

(C)



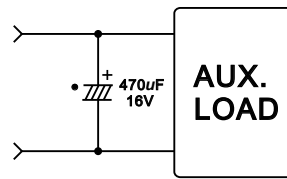
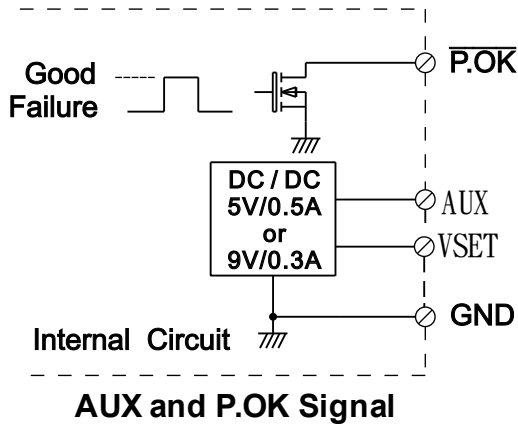
(C) Using external voltage source

Power OK Signal:

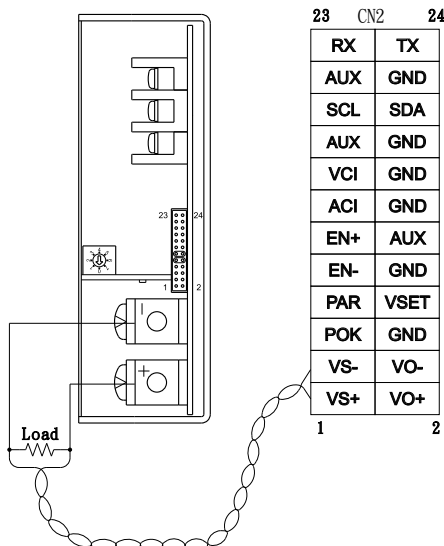
*The grounding of "AUX" power should be connected to "GND" port. If "V-" is connected as Grounding, make sure to short the GND and V- ports.

*Place an additional capacitor to have a better performance of auxiliary power operation.

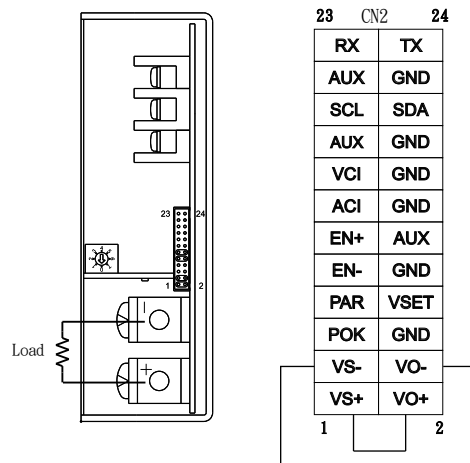
VSET	Open(Default Setting)	5V
	Short To GND	9V



1. Remote Sense

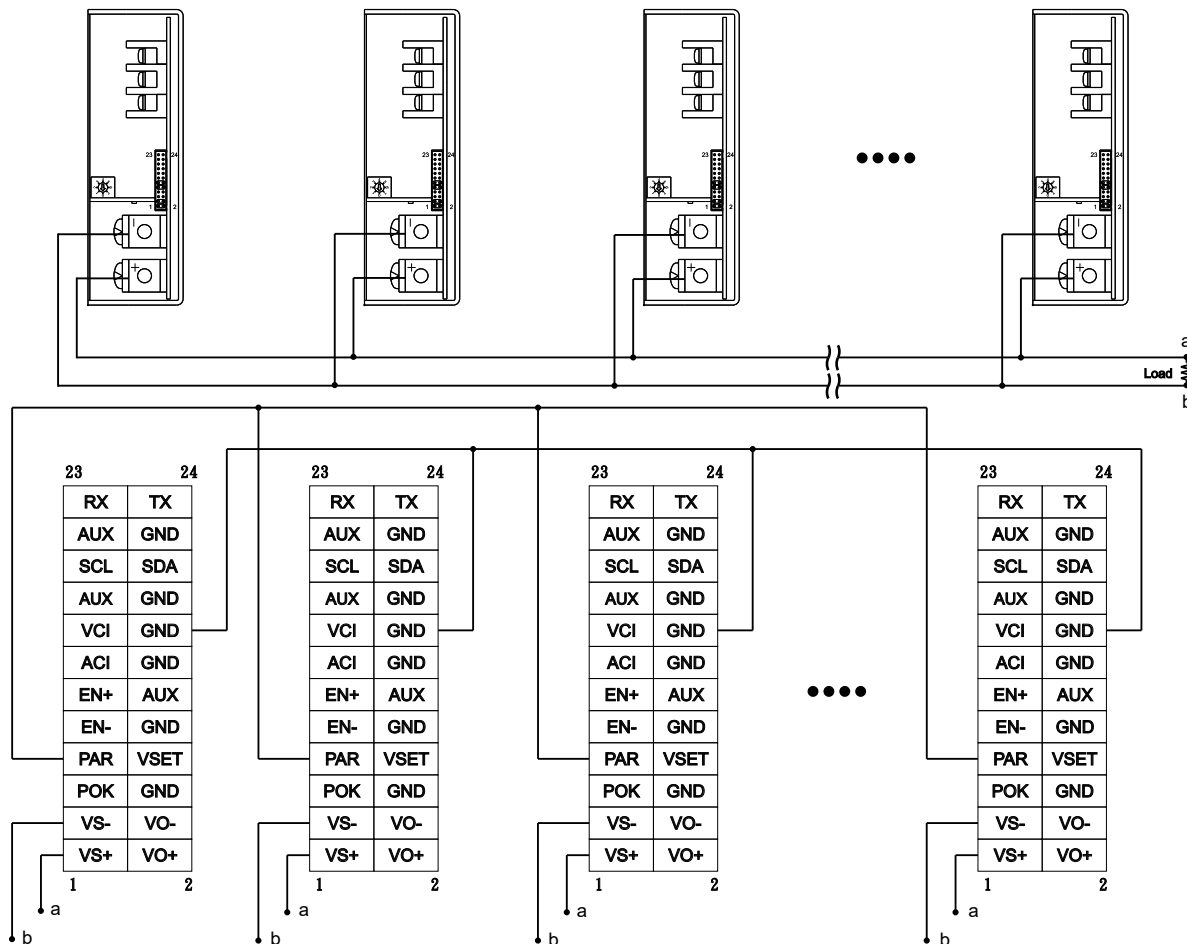


2. Local Sense (Default setting)



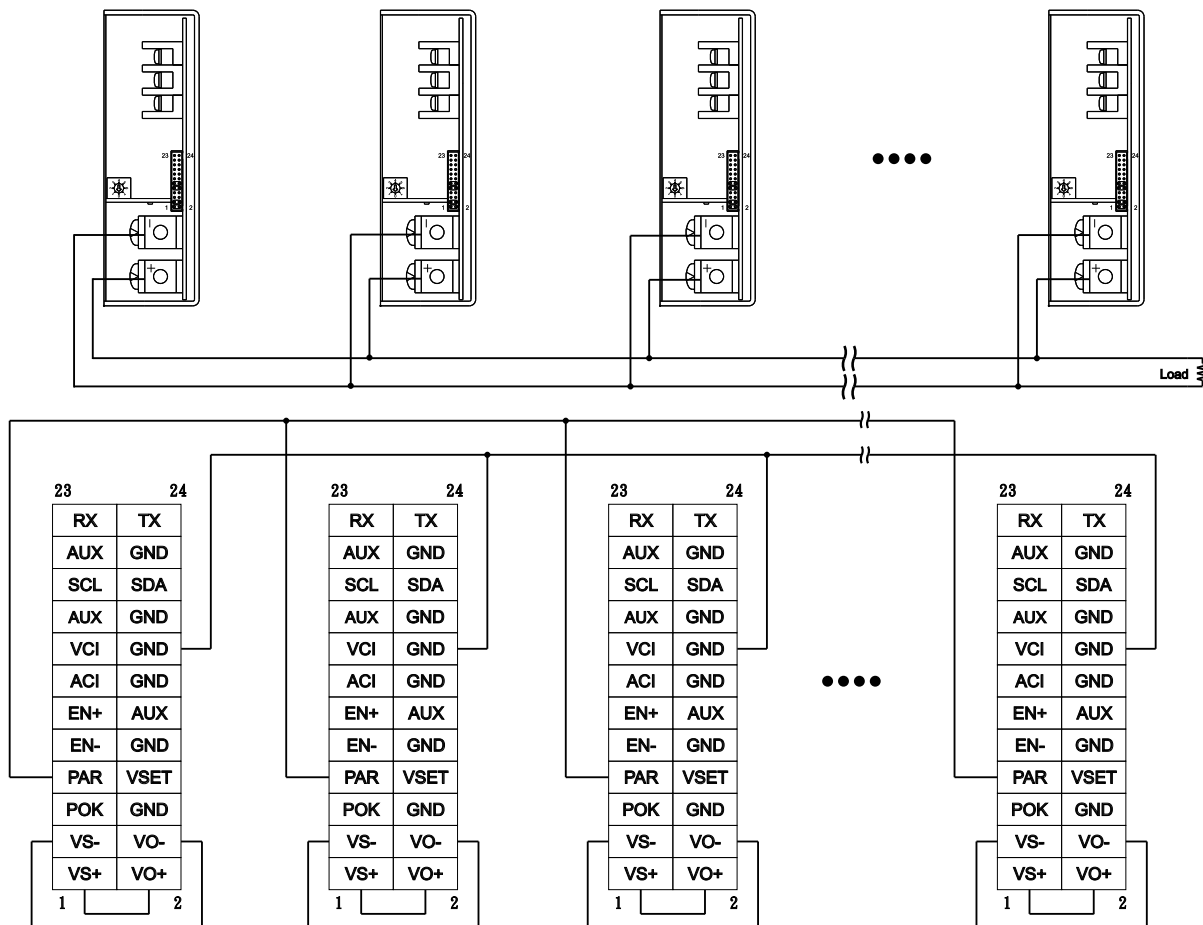
VS-,VS+ Compensation Voltage < 0.5V

3. Current Sharing with Remote Sensing(Parallel Connection)



Please connect PAR pins together for current sharing function

4. Current Sharing with Local Sensing

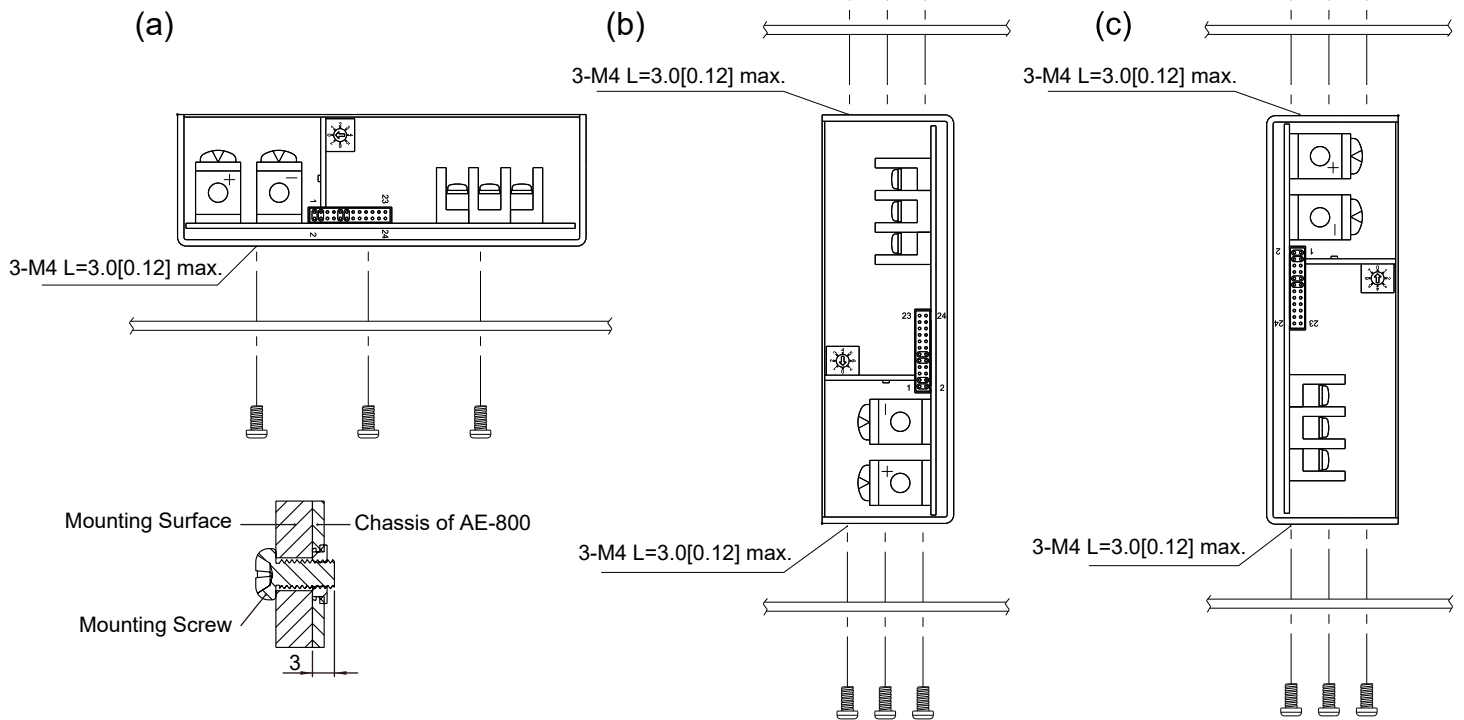


Please connect PAR pins together for current sharing function

Installation Instruction:

1. Mounting Directions

1-1 Recommended standard mounting methods:



Recommended screw length is measured from the power supply surface

2. Mounting Method

2-1 There are ventilating holes on the front and back side panels, do not obstruct; allow 50mm at least for air flow.

2-2 Recommended the torque of mounting screw:
M4 screw: 1.27N · m (13.0kgf · cm)

