

# PAD1500

1500W Programmable Digital Power Supply



## ■ Features:

- Universal AC input/Full range (90~264Vac)
- Programmable output voltage & current 0~105%
- Current sharing at parallel operation
- Constant current limit
- AUX POWER : +5.0V/1.0A auxiliary
- Built-in OR'ing FETs
- Support Parallel operation via CANBUS  
Built-in isolation circuit (A23, A24 Version)
- Power OK signal (built-in isolation circuit)
- Remote on/off & sense
- Support PMBus(meet), MODBUS, RS232/485, I<sup>2</sup>C and Ethernet protocols
- Protection: OVP, OLP, OTP, UTP, AC Failure, Power and Fan Failures
- Built-in VR to adjust output voltage & current (C11 version)
- Built-in EEPROM to memorize power supply settings
- Optional Changeable interface cards: A23, A24, C11 & D11
- Intelligent GUI to set and monitoring parameter

## ■ Model Naming Rule: PAD-1500-XX-①②③



### Hardware (Interface changeable):

A23 & A24 : RS-485 Support parallel connection with built-in communication isolation circuit

C11 : Single unit only

D11 : Ethernet

### Communication protocol :

A23 : STD protocol (RS-485), and Meet PMBus

A24 : MODBUS & Meet PMBUS

C11 : STD protocol (RS-485)

D11 : ARP, Device Search Utility (DSU), DHCP Client, IPv4, SNMP, TCP, UDP, ICMP

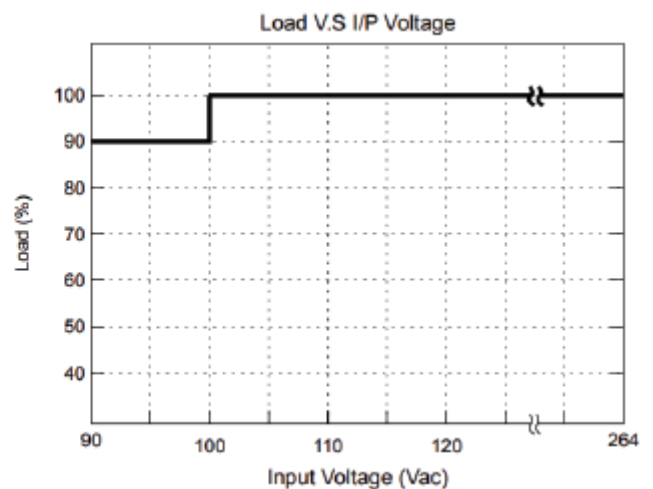
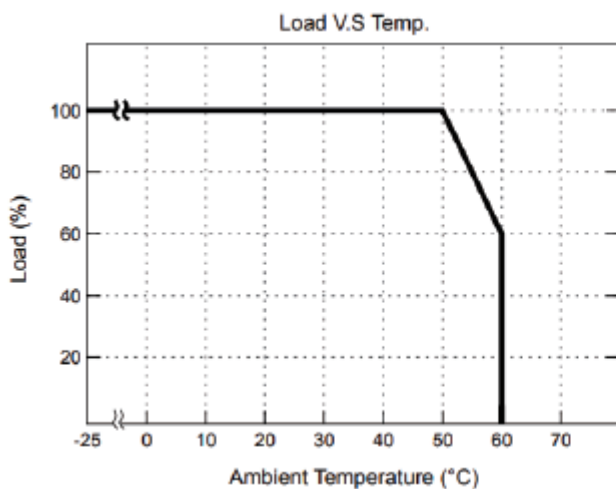
		PAD1500-12	PAD1500-15	PAD1500-24	PAD1500-30	PAD1500-36	PAD1500-48	PAD1500-60
Output	DC Voltage Rated	12V	15V	24V	30V	36V	48V	57V
	Rated Current	125A	100A	62.5A	50A	41.7A	31.3A	26.3A
	Current Range	0 ~ 125A	0 ~ 100A	0 ~ 62.5A	0 ~ 50A	0 ~ 41.7A	0 ~ 31.3A	0 ~ 26.3A
	Voltage Range	0~105% vs. rated						
	Rated Power	1500W	1500W	1500W	1500W	1500W	1500W	1500W
	Ripple & Noise (Max.) (Note. 2)	150mVp-p	150mVp-p	240mVp-p	300mVp-p	360mVp-p	480mVp-p	570mVp-p
	Voltage Adj. Range	±5.0% Typical adjustment						
	Voltage Tolerance (Note. 3)	±2.0% (rate output voltage of single unit)						
	Current Tolerance	±3.0% (rate output current of single unit)						
	Line Regulation	±1.0%						
	Load Regulation	±1.0%						
	Setup, Rise Time	1300ms, 100ms at full load (230V ac)						
	Hold Up Time (Typ.)	14ms / 230VAC at full load						
Input	Voltage Range (Note. 4)	90 ~ 264VAC, 250~370VDC *						
	Frequency Range	47 ~ 63Hz						
	Power Factor (Typ.)	0.95 / 230VAC, 0.99 / 115VAC at full load						
	Efficiency (Typ.)	89%	90%	92%	92%	92%	92%	93%
	AC Current (Typ.)	18A / 115VAC, 9A / 230VAC						
	Inrush Current (Typ.)	30A / 115VAC, 45A / 230VAC (cold start)						
	Leakage Current	< 3.5mA / 240VAC						

		PAD1500-12	PAD1500-15	PAD1500-24	PAD1500-30	PAD1500-36	PAD1500-48	PAD1500-60
<b>Protection</b>	Over Load	105% rated output power		Protection type: Constant current limit				
	Over Voltage	Programmable OVP, 120 ± 7% Vout.		Protection type: Latch-style (Recovery after reset AC power ON or inhibit)				
	Over Temperature	Detect on NTC, Protection type: Auto recovery after temperature goes down						
<b>Function</b>	Auxiliary Power	+5.0V / 1.0A						
	Remote ON / OFF Control	By external switch / communication						
	Power OK Signal	Open drain signal low when PSU turns on, Max. sink current: 20mA, Max. drain voltage: 40V						
	Output Voltage Trim	Adjustment of output voltage is between 0% ~ 105% of rated output (C11 Version)						
	Output Current Trim	Adjustment of output current is between 0% ~ 105% of rated output (C11 Version)						
	Parallel Connection (Note. 5)	Current sharing via CANBUS (A23 & A24 Version)						
<b>Environment</b>	Working Temp.	-25 ~ +60°C (Refer to load de-rating curve)						
	Working Humidity	20 ~ 90% RH non-condensing						
	Storage Temp. & Humidity	-40 ~ +85°C, 10 ~ 95% RH						
	Temp. Coefficient	±0.02% / °C (0 ~ 50°C)						
	Vibration	10 ~ 500Hz, 2G 10min. / 1cycle, period for 60min. each along X, Y, Z axes Compliance to IEC 68-2-6, IEC 68-2-64						
<b>Safety &amp; EMC</b>	Safety Standards	UL 62368-1; EN 62368-1						
	Withstand Voltage (Note. 7)	I/P-O/P: 3KVAC (4242VDC), I/P-FG: 1.5KVAC (2121VDC), O/P-FG: 0.5KVAC (707VDC)						
	Isolation Resistance	I/P-O/P, I/P-FG, O/P-FG: 100M Ohms / 500VDC						
	EMI Conduction & Radiation	EN 55032; EN 61204-3; EN 61000-6-3						
	Power Harmonic & Voltage Fluctuation and Flicker	EN 61000-3-2; EN 61000-3-3						
	EMS Immunity (Note. 6)	EN55035: 2017 / A11: 2020 ; IEC 61000-4-2,3,4,5,6,8,11						
	<b>Others</b>	Cooling	Load and temperature control fan					
Dimension (WxHxD)		127.8x64x280.4 mm / 5.03x2.52x11.04 inch						
Packing		2.2kg; 6pcs / 16kg / 1.86CUFT						

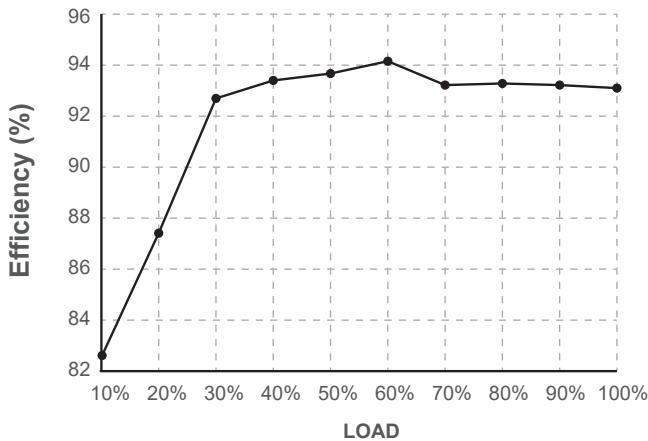
\*Note:

1. All parameters NOT specially mentioned are measured at 230VAC input, rated load and 25°C of ambient temperature.
2. Ripple & noise are measured at 20MHz of bandwidth by using a 12" twisted pair-wire terminated with a 0.1uF & 47uF parallel capacitor.
3. Tolerance: includes setup time tolerance, line regulation and load regulation.
4. De-rating may apply in low input voltage. Please check the de-rating curve for more details.
5. In parallel connection, only one unit will operate if the total output load is less than 10% of the rated power.
6. The power supply is considered a component which will be installed into a final equipment. The final equipment must be re-confirmed that it still meets EMC directives.
7. This test is done without enclosure: I/P-O/P 4242VDC. If with enclosure: I/P-O/P 2121VDC, I/P-FG: 2121VDC, O/P-FG: 707VDC

## ■ De-rating Curve



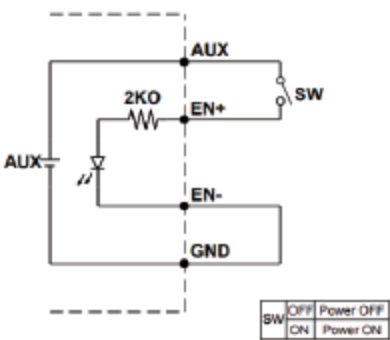
■ Efficiency Curve (60V Model):



The curve above is measured at 230Vac  
(Ambient temperature @ 25°C)

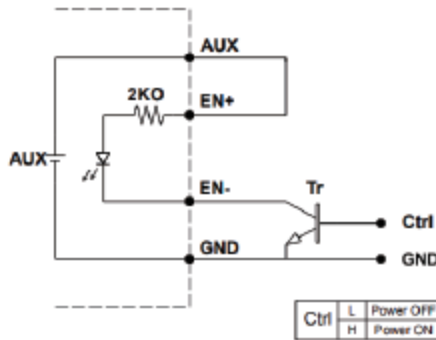
■ REMOTE ON/OFF

(A) Default Setting



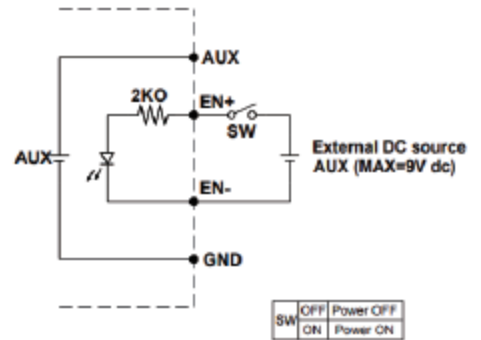
(A) Using internal 5V auxiliary source

(B)



(B) ON / OFF Control by NPN transistor

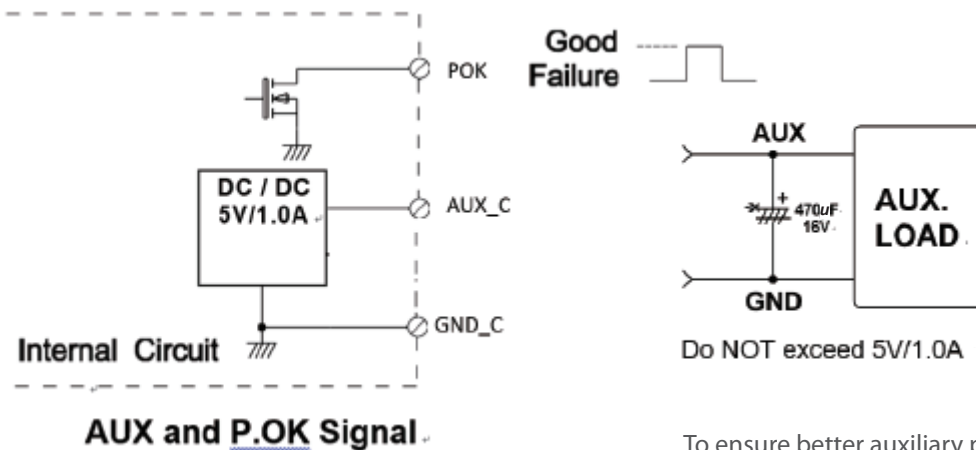
(C)



(C) Using external voltage source

\*GND shown in above diagram is referring to the GND of the interchangeable interface card, not the Grounding from main power(NEG-).\*

■ Power OK Signal & Auxiliary Power Setting



Open drain signal low when PSU turns on, Max. P.OK sink current: 20mA,  
Max. drain voltage: 40V

To ensure better auxiliary power operation performance, place an additional capacitor per diag. as shown above

\*GND shown in above diagram is referring to the GND of Connect, not the Grounding from main power(NEG-).\*

## Function LED

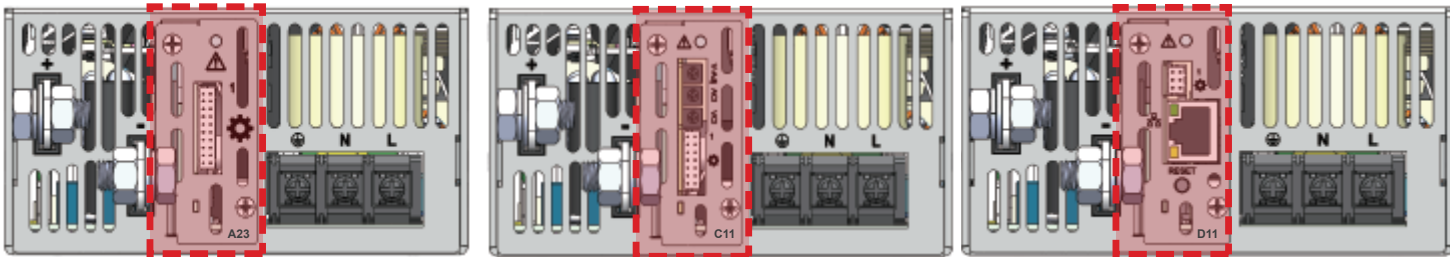
LED	LED Signal	Status
Solid(Green)		Power OK (Local mode)
Solid(Orange)		Power OK (Remote mode)
Slow Blink(Green)		Power Standby (Local mode)
Slow Blink(Orange)		Power Standby (Remote mode)
Fast Blink(Red)		Over Voltage Protection ( OVP)
Solid(Red)		Over Load Protection ( OLP)
Slow Blink(Red)		Over Temperature Protection ( OTP)
Intermittent Blink(Red)		Fan Failure
Interlace Blink (Red)		Power Failure
Slow Blink (Red)		AC Failure

## Interface card (Changeable)

1. A23&A24 (Support Parallel Connection)

2. C11 (Single unit)

3. D11 (Ethernet)



### PIN Function Description:

1. A23 & A24 Support parallel connection with built-in communication isolation circuit (Coming Soon!)

Pin No.	Function	Description	Pin No.	Function	Description	Mating Housing / Contact	
1	VS+	Remote sense (+)	2	VS -	Remote sense (-)	JST PHDR-20VS or equivalent	JST SPHD-002T-P0.5 or equivalent
3	X	Reserve	4	X	Reserve		
5	EN+	Inhibit ON/OFF (+)	6	AUX	5V / 1A Auxiliary power		
7	EN-	Inhibit ON/OFF (-)	8	GND_C	Communication Ground		
9	H_TERM	CAN Termination	10	L_TERM	CAN Termination		
11	CANH	Dedicated in parallel (CAN BUS High-level)	12	CANL	Dedicated in parallel (CAN BUS Low-level)		
13	SCL	Serial Clock used in the I2C interface	14	SDA	Serial Data used in the I2C interface		
15	POK	Power OK (40V / 20mA / <0.5W Open collector)	16	GND_C	Communication Ground		
17	RS485-A	Driver Output / Receiver Input Non-inverting	18	RS485-B	Driver Output / Receiver Input Inverting		
19	AUX	5V / 1A Auxiliary power	20	GND_C	Communication Ground		

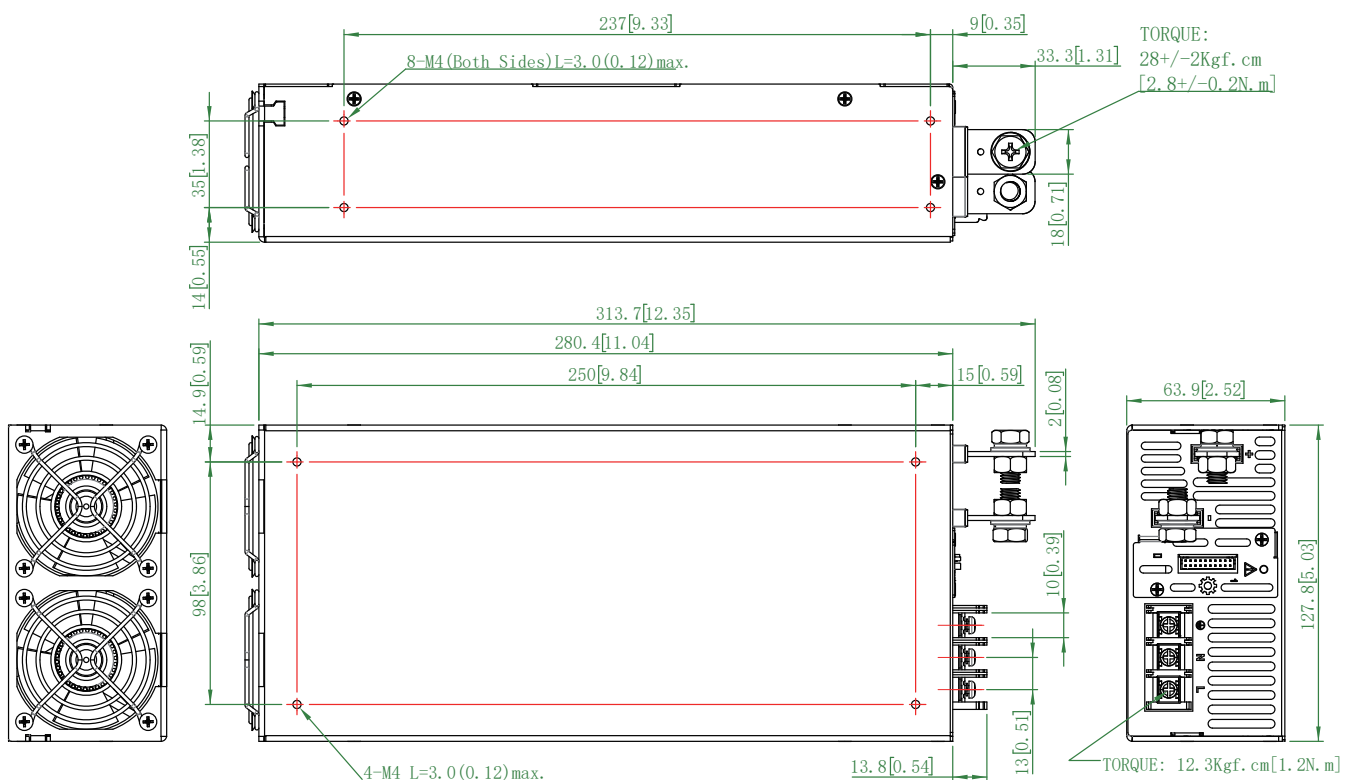
## 2. C11 (Single Unit)

Pin No.	Function	Description	Pin No.	Function	Description	Mating Housing / Contact	
1	VS+	Remote sense (+)	2	VS -	Remote sense (-)	JST PHDR-14VS or equivalent	JST SPHD-002T-P0.5 or equivalent
3	ENB+	Inhibit ON/OFF (+)	4	AUX	5V / 1A Auxiliary power		
5	ENB-	Inhibit ON/OFF (-)	6	GND	Communication Ground		
7	A_TERM	RS-485 Termination	8	B_TERM	RS-485 Termination		
9	RS485_A	Driver Output / Receiver Input Non-inverting	10	RS485_B	Driver Output/Receiver Input Inverting		
11	POK	Power OK (40V / 20mA / <0.5W Open collector)	12	GND	Communication Ground		
13	AUX	5V / 1A Auxiliary power	14	GND	Communication Ground		

## 3. D11 (Ethernet)

Pin No.	Function	Description	Pin No.	Function	Description	Mating Housing / Contact	
1	H_TERM +	CAN Termination	2	L_TERM	CAN Termination	JST PHDR-6VS or equivalent	JST SPHD-002T-P0.5 or equivalent
3	CANH	CAN BUS High-level	4	CANL	CAN BUS Low-level		
5	POK	Power ok	6	GND	Communication Ground		

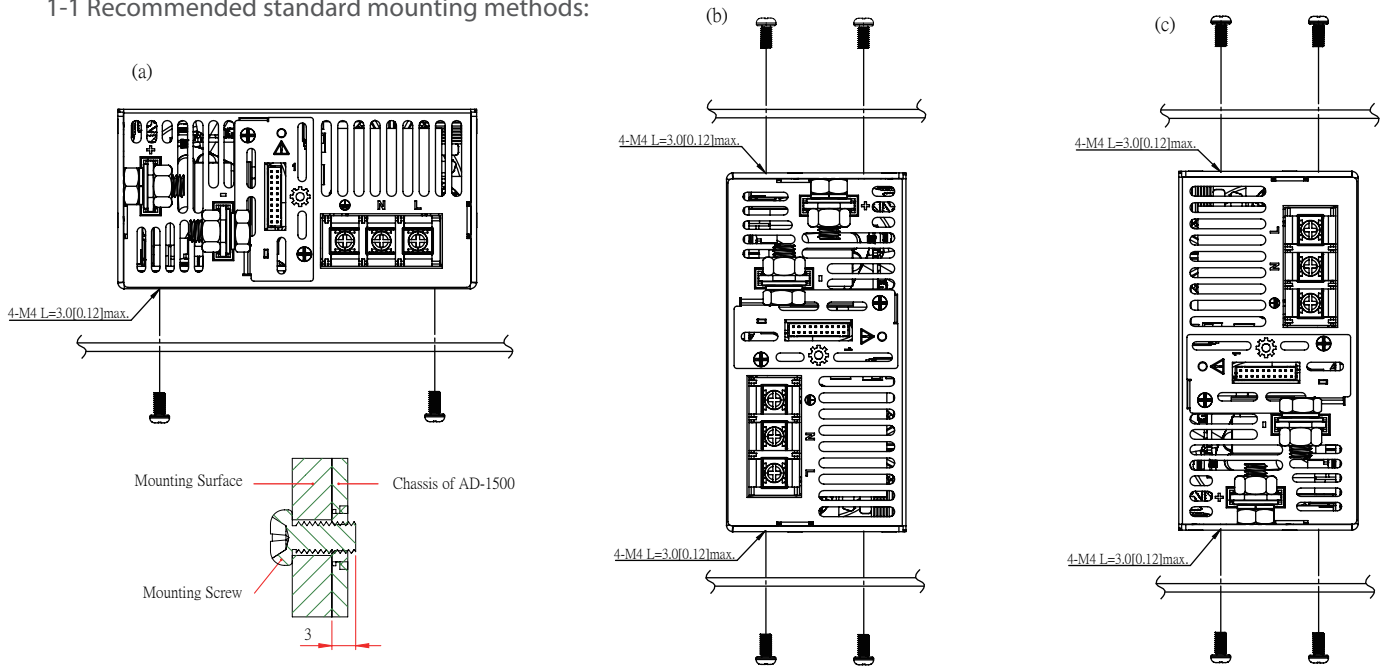
## ■ Mechanical Drawings : Unit: mm [inch]



■ Installation Instruction

1. Mounting Directions

1-1 Recommended standard mounting methods:



Recommended screw length is measured from the power supply surface

2. Mounting Method

2-1 There are ventilating holes on the front and back side panels, do not obstruct; allow 50mm at least for air flow.

2-2 Recommended the torque of mounting screw: M4 screw: 1.27N • m (13.0kgf • cm)

